



# FITTING INSTRUCTIONS

Part Number: **3500600**

Product

Description: **HAWSE FAIRLEAD ADAPTION KIT**

Suited to

Bars: **ALL RECESSED /OFFSET MOUNT HOLE TYPES.**

## ARB 4x4 ACCESSORIES

Corporate Head Office

42-44 Garden St  
Kilsyth, Victoria  
AUSTRALIA 3137

Tel: +61 (3) 9761 6622  
Fax: +61 (3) 9761 6807

Australian enquiries  
North & South American enquiries  
Other international enquiries

sales@arb.com.au  
sales@arbusa.com  
exports@arb.com.au

### www.arb.com.au

#### REQUIRED TOOLS FOR FITMENT OF PRODUCT:

**BASIC TOOL KIT**

#### HAVE AVAILABLE THESE SAFETY ITEMS WHEN FITTING PRODUCT:

Protective eyewear



Hearing protection



**NOTE: 'WARNING' notes in the fitting procedure relate to OHS situations, where to avoid a potentially hazardous situation it is suggested that protective safety gear be worn or a safe work procedure be employed. If these notes and warnings are not heeded, injury may result.**

#### FASTENER TORQUE SETTINGS:

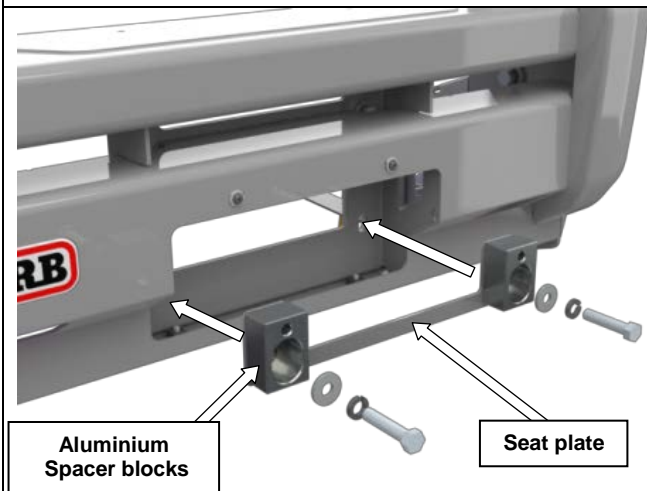
SIZE	Torque Nm	Torque lbft
M6	9Nm	7lbft
M8	22Nm	16lbft
M10	44Nm	32lbft
M12	77Nm	57lbft

#### PARTS LISTING

APPLICATION.	PART NO.	QTY	DESCRIPTION
HAWSE KIT TO BULLBAR	3194521	1	ALUMINIUM BLOCK SEAT
	6250011	2	ALUMINIUM SPACER
	6522912	1	SPACER COVER PANEL
	6151364	2	M10 X 30 SOCKET HEAD CAP SCREW
	4581048	1	WASHER SPRING M10

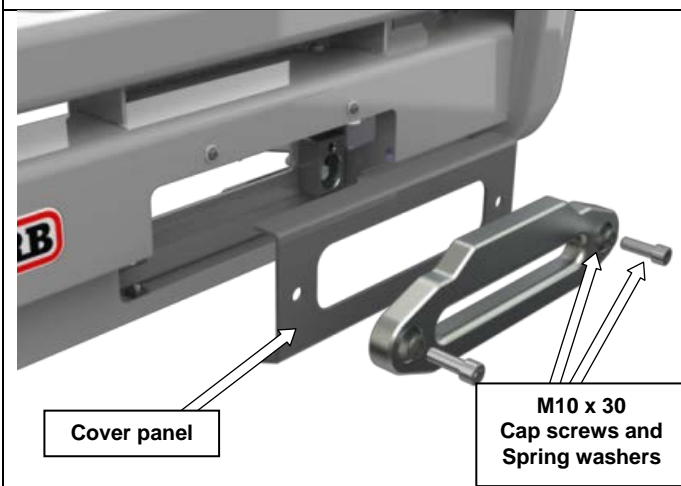
**PART No. 3500580 Solenoid box adaptor will be needed if fitting a Smittybilt winch.**

## FITTING PROCEDURE




1. Make sure hook is removed from cable or cable is removed from winch.
2. Assemble parts as shown. Aluminium blocks must sit in square holes of the seating plate with slotted holes towards the bottom. Secure to bar and winch using winch supplied hardware. Tighten to winch manufacturers torque setting.

**NOTE: SPACER BLOCKS HAVE ADJUSTMENT UP AND DOWN.**



3. Fit Hawse fairlead and cover panel to spacer blocks using M10 socket head cap screws and M10 spring washers provided.
4. Re-fit cable and or hook.

 **M10 – 44Nm.**